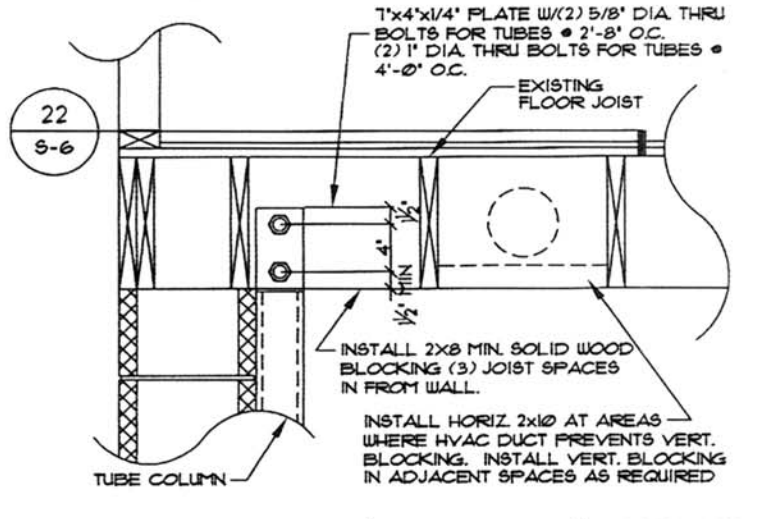
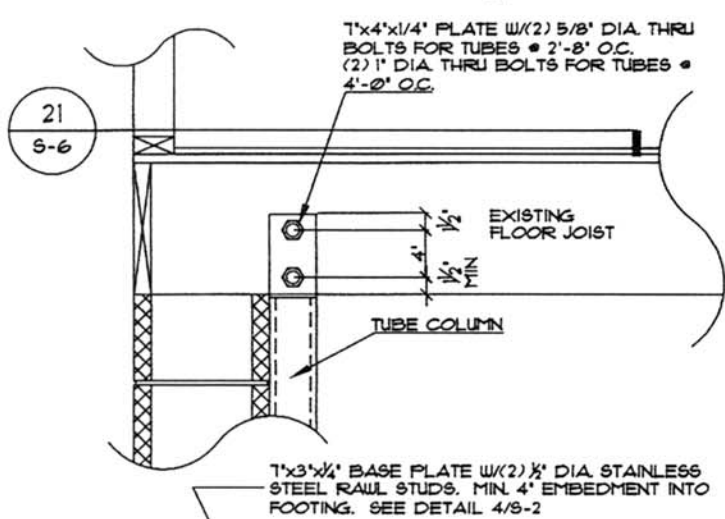


**23 CONNECTION DETAIL SECTION VIEW**  
1 1/2" = 1'-0"

**21 CONNECTION DETAIL TOP VIEW**  
3/4" = 1'-0"

**22 CONNECTION DETAIL TOP VIEW**  
3/4" = 1'-0"



**19 CONNECTION DETAIL SIDE VIEW**  
3/4" = 1'-0"

**20 CONNECTION DETAIL SIDE VIEW**  
3/4" = 1'-0"

Date: 3/26/03  
By: Jim Jendusa

**ALTERNATE TOP CONNECTION #3  
CONNECTION DETAILS W/ TOP SADDLE**